

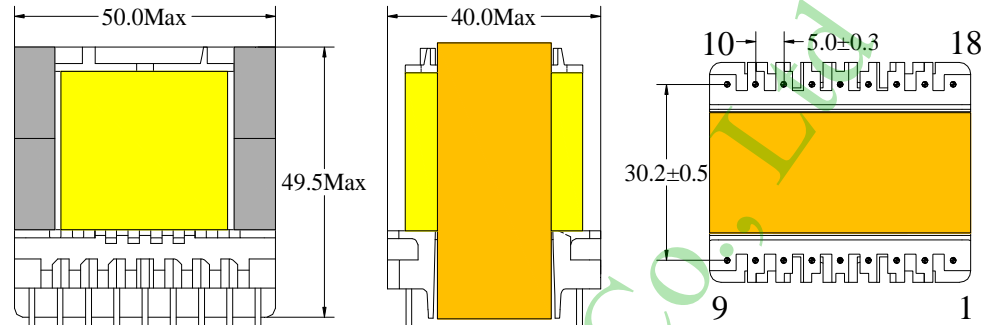


High-frequency transformer

ER42 Series

Parameters/Dimensions:

ER42 Type 1



Information:

Shape:ER42

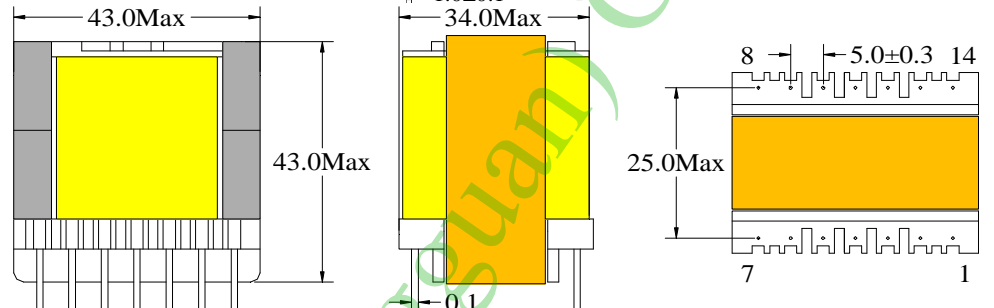
1 Power:280~350W

2 Mounting Orientation: Vertical

3 Size: 50 (W) * 40(L) * 49.5 (H)

4 Effective Ae (mm2):204~240

ER42 Type 2



Information:

Shape:ER42

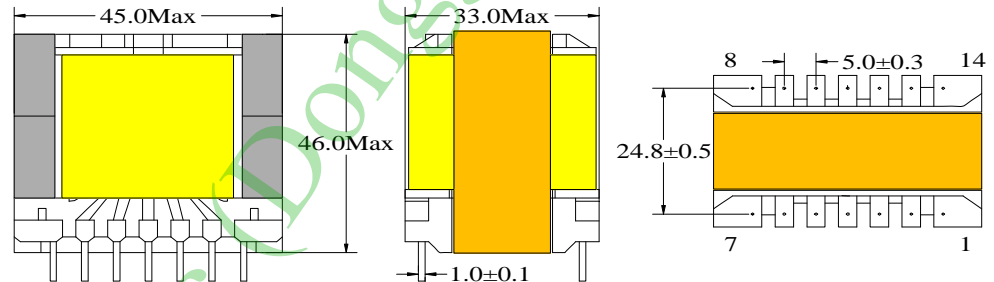
1 Power:280~350W

2 Mounting Orientation: Vertical

3 Size: 43 (W) * 34(L) * 43 (H)

4 Effective Ae (mm2):204~240

ER42 Type 3



Information:

Shape:ER42

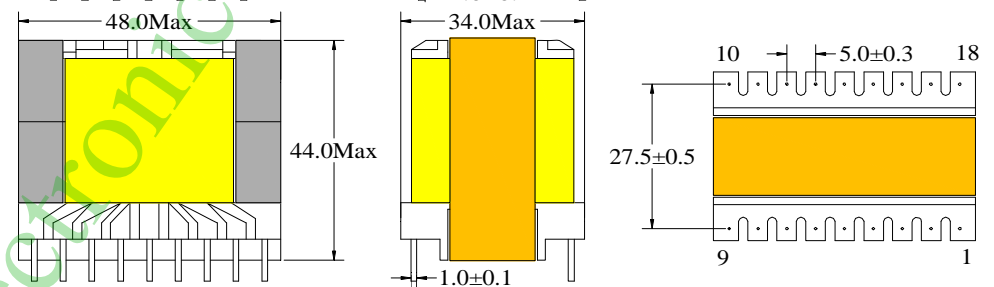
1 Power:280~350W

2 Mounting Orientation: Vertical

3 Size: 45 (W) * 33(L) * 46 (H)

4 Effective Ae (mm2):204~240

ER42 Type 4



Information:

Shape:ER42

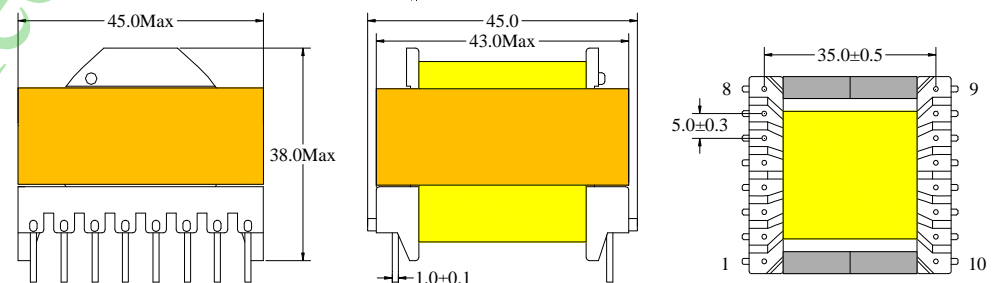
1 Power:280~350W

2 Mounting Orientation: Vertical

3 Size: 48 (W) * 34(L) * 44 (H)

4 Effective Ae (mm2):204~240

ER42 Type 5



Information:

Shape:ER42

1 Power:280~350W

2 Mounting Orientation: Horizontal

3 Size: 45 (W) * 45(L) * 38 (H)

4 Effective Ae (mm2):204~240

Note:

Bobbin type listed in the traditional style, transformer design parameters to customer needs or to inject prevail.

ER series high-frequency transformer features:

Coupled good location, in the column for the round, easy winding and winding area increases, can be designed to power large and small leakage inductance of the transformer.

Uses:

TV power supply, display, switching power supply, navigation, LED power supply